



The VHF Transmitter



Keystone VHF Club, Inc.

W3HZU

Founded 1955 – York, PA

VOL 46 No 8

“Circulation 186”

August/September, 2000



Aug/Sep 2000 CALENDAR

*Edited by Bob Gundlach, N3NBT
n3nbt@aol.com*

- Aug. 3 Keystone VHF Club meeting
- Aug. 5-6 ARRL UHF Contest
- Aug. 5-6 10-10 Int. Summer Phone Contest
- Aug. 5-6 N. American QSO Party
- Aug. 7 V E Exam-Myerstown, PA 717-933-5301
- Aug. 8 York Amateur Club picnic-Keystone pavilion
- Aug. 10 Keystone VHF E Board Mtg
- Aug. 12 V E Exam-Shrewsbury, PA 717-235-0273
- Aug. 13 Hamfest - Shrewsbury, PA
- Aug. 19-20 N. American SSB QSO Party
- Aug. 26 V E Exam-Port Deposit, MD 410-378-2771
- Sept. 4 Labor Day
- Sept. 5 Red Lion Hilltop Club Mtg
- Sept. 7 Keystone VHF Club Mtg
- Sept. 9-11 ARRL September VHF QSO Party
- Sept. 12 York Amateur Radio meeting-RedCross
- Sept. 16 Hamfest-Schnecksville, PA
- Sept. 16-17 Hamfest-York, PA
- Sept. 16-17 VE Exams-York Hamfest
- Sept. 23 V E Exam-Mechanicsburg, PA 717-938-3571
- Sept. 24 Hamfest-Bowie, MD
- Sept. 29-30 Microwave Update 2000 Convention-Trevoise, PA



Swinging Roberto “The Chef” Gundlach boogies to his walkman while he “cooks” for the Club Chowfest

OUR BEST PIG ROAST EVER

Now our current top
fund raiser !

Way to go KVHFC !!!

The Pig Roast profits topped \$900 this year making it our current top fund raiser. In the past, our participation in the York Hamfest and Springfest is where most of our operating funds came from. Good weather and an enthusiastic crowd pushed us over the top this year. Here are a few facts about the Pig Roast:

For the last two years, we’ve been cooking the Pig ourselves. This year we purchased several reasonably small pork roasts. These cook much faster the roasting a whole pig. They are easier to handle and we don’t have to spend the whole night before at the club getting the Pig started. Cooking begins at 5 AM on the day of the Pig Roast. Everyone felt that the quality of the meat was every bit as good as getting a whole pig. We also found that the beef we serve doesn’t have to be started until sometime after noon. We started it this year at about 1:30 PM ... perhaps just a little late. Next year we’ll start it about an hour earlier.

The auction seemed to be quite popular. There were some great deals to be had. It would be nice to get a few more Ham Radio related items for next year. Some body got great bargains on the Trip Lite power supplies and that roll of RG8 mini Wow!

The club pavilion and the portable shelters over the picnic tables worked out great! We have a world class facility to hold these kind of events. On the Thursday before the Pig Roast, the E-Board & Pig Roast volunteers had a super crab feast under the pavilion.... We need to do this kind of stuff more often!

All in all ... a really super social event! Our next big feast is the Corn Roast, an old Keystone tradition. We are also going to handle the food sales at the York Hamfest. We will be procuring, cooking, and serving food for the entire day at this event which is organized by the new York Hamfest Foundation.

In summary, I’d like to include some more facts and figures in reference to the Pig Roast:

Expenses		Income		Profit
Plates/Drinks	\$193	50/50 raffle	\$ 193	\$903
Cole Slaw	\$ 55	Auction	\$ 159	
Beef/Pork	\$344	Food Leftovers	\$ 101	
Potatoes	\$ 26	Beer donations	\$ 42	
Beverages	\$156	Ticket Sales	\$1165	
	\$774		\$1660	

Super Job by the Way’s & Mean’s & Pig Roast Committees (GO TEAM !!)

**The Club Extends a Hearty
Welcome to new members**

*Tom & Sue Graybill
Al & Ann Lewis
Dan Shortencarrier*

**NEXT MEETING
August 3rd
at the Club Site**



From the President

By *Ernie Mellinger, N3ZCW*
emellinger@aol.com

As many of you know by now, I've taken the opportunity to change my call through the vanity call window. My new call is K3ELM. As most of you know, W3JIF usually comes up a way to remember new calls. Dick has come up with Eat Lean Meat. Tim (AA3BJ) refers to me as the TREE or ELM Tree.

The weeks since our last newsletter have been filled with a lot of activity. By the time you read this all the clean up work leading up to our Pig Roast will have been completed and the Second Annual Pig Roast will have been the usual Cracker Jack event. I want to thank all the Club members who supported this fund raising event and helped make this not only a fun time filled with great food but an opportunity to help keep our Club on sound financial footing. I'd also like to thank all those who worked so very hard to make this an enjoyable event for all who attended.

While I am expressing appreciation, we need to say a great big thank you to Ray (KA3VDD) for bringing a nice lawn mower to the Club. This is really appreciated by those of us who help with the mowing.

I hope each of you will take the opportunity to make as many club meetings as you can before fall forces us to the Cyber Center. The meetings at the club site not only allow us to enjoy the cool summer evenings but also allow those who attend to see all the changes that are taking place at the site.

The modern wonders of technology allow us to do many things that weren't possible only a few years ago. I'm preparing this article in North Central Florida as Lonna and I enjoy a long overdue vacation. The wonders of email will permit me to get this in Dick Goodman's hands in time for publication. I will be back in time for the next Club meeting and am looking forward to seeing you there. Until then 73's from K3ELM.

The VHF Transmitter

published monthly by the

Keystone VHF Club, INC

Editor: Dick Goodman, WA3USG

ADDRESS LETTERS TO THE EDITOR and ARTICLES TO

DICK GOODMAN, WA3USG Voice: (717) 697-2353
199 MAPLE LANE e-mail:
MECHANICSBURG, PA 17055 wa3usg@compuserve.com

e-mail address can receive binary files

To change your
address for the
Newsletter, contact:

Dick Goodman, WA3USG
199 Maple Lane
Mechanicsburg, Pa.
(same as above)

I'm sure that most of you have heard of the passing of Club member Dutch Hildebrand, K3UVJ. Dutch has been a member since September of 1990. He was our newsletter editor for several years and until his passing, printed our newsletter in his shop. He will be missed by all his friends in this organization. For me and many others, Dutch's passing came quite unexpectedly. Our sincere condolences to Dutch's friends & family. the KVHFC .. SK



From the Editor

By *Dick Goodman, WA3USG*
wa3usg@compuserve.com

What did everyone think of the Pig Roast? If you went away hungry, shame on you! I think that this was the best one ever. While you were enjoying the company & camaraderie of your fellow members, I hope that you took a good look at the club facilities. Especially the lawn!! There are many of us who thought those **HUGE** piles of mulch were never going to disappear! The place is absolutely beautiful! Super kudos to the trustees & all the guy's & ladies who have put in the hours to make it so!

I saw many of you after the Pig Roast at the Observing Session at Sam Lewis State Park. This was sponsored by the Amateur Astronomy Foundation of America. Bob & Josh Hoke (KB3DXO & KB3DXN) were there until the wee hours of the morning with their CCD cameras imaging the Comet Linear S4 and showing everyone the wonders of the night sky. When you think about it, this hobby is just a natural extension of Amateur Radio ... you're just receiving higher frequencies !! Take a look at Bob's comet image elsewhere in this issue.

On a more serious note. Check out Ruthanna's article on the next page. We need more people to become active in club events. For an Amateur Radio organization (which is statistically supposed to be made up of a bunch of geriatrics) we have a large amount of relatively young members. Come on you younger people! There's a lot of exciting new technologies on the horizon. There's the new Phase 3D satellite ready to be launched, there's PSK31, and there's some interesting happenings going on with LF. What are you interested in? Come on up to the club & infect some other members with **YOUR** interests. Keep in mind that this is **YOUR** club. It can only be a viable, dynamic organization with we get participation from a wide cross section of the membership.

That's about it for this month. It's amazing how fast the Summer goes. While it may be a little premature, start thinking about those antenna & feedline projects that you've been procrastinating.

Best O' 73 ... Dick



**Comments from
our Vice President
By
Ruthanna Pearson
wb3cqn@aol.com**

I'm writing this as your Vice President, I think we have noticed a decline of interest in the club, less people attending meetings and club functions! I realize summer is always a bit slower with vacations etc. but lets all take a hard look at what all of us can do to get back on track.

You younger people and the new members, we need and want you to be an active part of our club, don't wait for one of us to take your hand, and we will if that is necessary? Jump in and help with the work parties, come up to the club when we are contesting help us log, learn to operate it is fun and always lots to eat. Give us some of your ideas on what you would like to have done!!

I've sat back and listened when we where going to have a fox hunt, bought trophies and as far as I know there never has been a fox hunt???? We where going to build antennas for those interested in the hunt, it was to be done Thursdays evening at the club, if it was ever completed I never heard about it!! There was to be a plague made or purchased with names who donated to the Pavilion, I haven't seen it????

Don't misunderstand what I am saying, my point being Thursday nights at the club was to be a time to get together and do projects, have a bull session, play cards. and whatever for anyone to enjoy. At times we have been accused of being a Clique and that is wrong!!! anyone can join the group and create some projects.

Just remember what the Trustees and workers have done, where would we be without them??? Tim & Greg who give so much of themselves in climbing and technical happenings. I don't think many realize how much work has been done and has to be done, look around and see what a beautiful spot we have and how nice the Club House looks, all the work done inside, those of you who haven't joined us for a long time get in your car and come see the club and most important become active!!!

Your Ways & Means committee has done an outstanding job, your executive board has many meeting and discussions some good and some heated always with the club interest the first priority. Your president and all the officers are doing a great job and we are blessed to have Sandy as our treasure with all her knowledge. I don't want to leave anyone out and would take a lot of space to name all who have worked very hard and are still working very hard to make us a great club.

You should all know who your officers are and the trustees and the committees they deserve our thanks and help!! Now for the YL's who deserve a thank you too! A quote "Behind every good man there is a great women" they are there for many of the activities keep up the good work. A special thanks to Ray Shaub and his staff who have helped so many get their ticket and to up grade.

Dick Goodman who does such a great job on our newsletter, a job well done. thanks a million Dick. There are many projects to be done, everyone who can please join the work parties, attend the meetings and special events help us make this the best club possible. Your comments welcome bad or good!!!

Now this is from the DX Chairperson!

Don't know how many have been listening on the bands but the DX hasn't been that exciting, as a matter of fact the conditions haven't been good.

A51 Bhutan was put on the air a few weeks ago with a DXpedition after many years with no amateur radio allowed! Bhutan was near the top needed for DXCC. The group from the expedition left some equipment and soon the local hams should be operating and give those that missed the DXpedition a chance to at add Bhutan to their list.

I was lucky to work a Russian YL Lena from Valdikavkaz, her call UA6JRY.

When conditions get better I am sure there will good DXing I hope so!!

Pre-Pig Roast Feast !



Since the E-Board & Pig Roast volunteers had to be up at the club site for several evenings getting ready for the Pig Roast, we thought that we might as well take advantage of the situation. A simple cookout turned into an extravaganza consisting of a bushel of steamed hard shell crabs, freshly picked corn on the cob, half of a barbecued chicken, and plenty of our favorite beverages. With all the rain we've been getting, the corn was just about the best I've ever tasted. This event also gave us practice for eating at the Pig Roast! There's some of us who are thinking about re-naming the club to the "Keystone Big Eaters Association". Probably not a bad idea since over half of our events have food instead of technology as their main course!



Trustees Report

By *Chuck Miller III,*
N3KVE

I would like to thank the fine group of folks who took down the dead trees the other weekend, mowed the lawn, and trimmed. The grounds look good. I would like to thank everyone who uses the repeaters for doing a fine job of operating. I travel around quite a bit, and I have the opportunity to listen to or to use other machines. I am amazed at some of the things I hear and of the operating practices some hams use. I wont elaborate on it, just keep up the good work of good Amateur Radio practices. Tim, AA3BJ and myself just built a FINE chicken grill that should cook about 60 or so halves at a time. From a distance you'd think a professional built it! Looking forward to using it soon. We have a VERY nice lawn mower now that was donated to us by Ray Orndorff KA3VDD , Thanks Ray.

We will be actively renewing tech. sessions, listen for more info. Hope everyone is having a good Summer.

73 Chuck-N3KVE

Comet Linear S4 Glows in the night sky over Sam Lewis State Park.



This CCD image was taken by club member Bob Hoke, KB3DXN on the night of 22 July after the Pig Roast. It was shot through his 8 inch Celestron Schmidt-Cassegrain telescope. It is the composite of 5, 30 second exposures which were computer enhanced & stacked to improve the signal to noise ratio (sound familiar?). This image would have been impossible to acquire with ANY telescope just 20 years ago! It's distance... over 30 million miles!



Ways & Means & VE & Public Education Committee Reports
By *Ray Shaub, W3AXC*
w3axc@juno.com

The next activity is the Corn Roast on August 19th. The club will be selling 1/2 barbecued chickens this year as we did last year. Tickets will be available at the August meeting. As always the club will be supplying the corn and cold drinks (ice tea, lemonade), You bring what ever you want to eat or purchase a ticket for a 1/2 chicken. Be sure to bring a table cloth and eating utensils.

The following month the York Hamfest Foundation will be holding the York Hamfest on the 16th and 17th of September. Our club will be providing the food from a stand on the outside of the building and we have the option of also providing food in the building and in the tailgate area. This will be a money maker for the club, plan to help out.

Also the club will be compensated for members that will help with set up and tear down of tables and for other tasks like selling admission tickets or helping in the tailgate area. More on this at the August meeting plan to be there.

On Sunday, October 15th we are planning a club trip to the Inner Harbor. This will be a fun activity, if you have never been to the Inner Harbor this is a great way to go. Some of us will drive to the Light Rail station and ride the Light Rail to Camden Yards and walk 3 blocks to the Harbor and some may drive to the Inner Harbor and park on the street or in a parking lot. In any case we will keep in contact by hand helds.

If you have not been to the inner Harbor in a while there have been a lot of changes and you will be surprised.

We have secured the Viking Club for our annual Christmas Banquet on January 6th. We are trying to keep the cost the same as last year. The entertainment hasn't been booked yet but the Ways and Means committee is working on it.

**Enjoy Breakfast Out ?
Join club members every
Saturday morning at 7
AM at the ROUND-THE-
CLOCK DINER**

Secret message to Ruthanna

Hey, I'm still trying to figure out what I did with the other picture of yourself that you gave me.



BOB'S TECH TALK

ELF
LF
HF
ATV
ANTENNAS
SSB
SECRET
STUFF!

By Bob Riese, K3DJC
riese-k3dj@juno.com

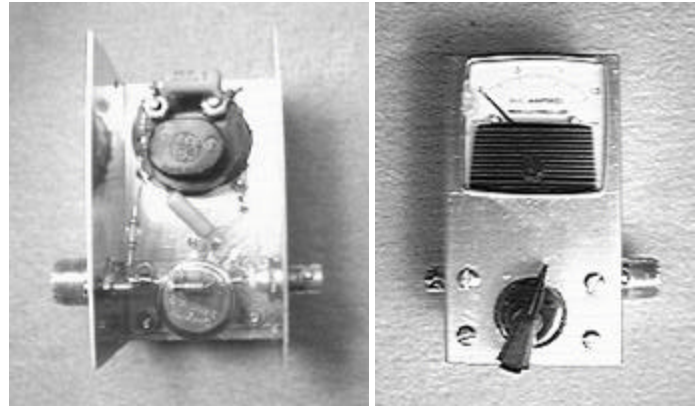
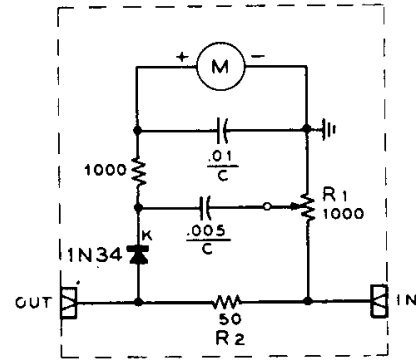
Here is a "just about as simple as you can get" Rx bridge. This little circuit will allow you to measure the Rx of your antenna and allow you to see improvements as you reduce your ground losses. The only pot I could find in my junk box for R1 was 500 Ohm, This needs to be mounted on a piece of insulating material to reduce capacitance to ground. Drill a large hole in the meter box and mount a piece of plastic over the hole. Mount the control on the plastic. I made the hole 7/8 of an inch I also changed the other resistor to 500 ohms to keep the bridge closer to balance. I used .04s for the caps. which was another junk box choice. The diode should be ran away from the connector at right angles to reduce coupling. The result is a meter that can measure resistance down to 40Khz and lower. It holds the calibration up to HF as well.

This circuit needs to be used with a test Oscillator and I have seen 2 HP 652 Oscillators at recent hamfests for 15 to 35 bux, If you find one in good shape pick it up as it provides output from audio to 10 Mhz and a real useful tool. It has 50 and 600 ohm output and an output meter that goes to a +20 dbm. If nothing else it makes a nice QRP rig on 160, 80 and 40 meters.

To calibrate your meter you need access to a decade resistor box or a collection of resistors from low to 500 ohms. Set your test osc or grid dip meter to a LF frequency, couple to the meter and place a resistor across the out put connector ,as you vary the pot you will see a null, make a mark and you have your first calibration point equal to the resistor value . This meter will allow you to find the Rx of your LF antenna and a simple method of finding the resonance of your antenna. Just hook the test osc. up to the box and the box to the antenna. Varythe Osc and look for a null residing. I set the pot to a mid range around 50 ohms or so. The null point will be the resonance point of your antenna

I found that my Variometer on the end of 100 Ft of 50 ohm cable will resonate my 160 meter L from around 130 Khz to 190 Khz. Why use this meter, when you also need a test oscillator . Well the HP osc and others are a lot easier to lug around than a noise RX bridge and your receiver. The accuracy of the meter is OK but not as good as a true impedance bridge but a lot easier to use. My next hamfest hunt may be for a true impedance meter. For a handful of parts and an hour or so of time it is easy to build this handy antenna helper.

Any newsletter articles will be very cheerfully accepted by Dick Goodman, WA3USG at E-Mail:
wa3usg@compuserve.com



FOR SALE/WANTED

We are Condominium bound and visible antennas are verboten.

Cushcraft 10-4CD, 4 Element Monobander	\$75.00
Cushcraft A4S, 4 Element Tribander	\$165.00
Cubex Quad "Magnum" 4EL 10 meter New	\$345.00
Gap Titan Vertical, 10 thr 80m	\$175.00
Amneritron ALS600, No Tune Solid State Amp	\$850.00
Ameritron ALS600PS, 50 Volt Power Supply	\$150.00
Yeadu G800SDX Antenna Rotor & Mast	\$200.00
Rohn Tower, 2 sections and top section	\$60.00

Call N3LD Lee @ 755-8685

Allen Organ, Model "Rondo". Two manuals and 32 key pedal board. Two Pedal stops, 20 Swell stops, and 9 Great stops. Two very large speaker boxes, each contains two 15 inch speakers and two 12 inch speakers, rotatable, giving a reverberatory effect. Complete set of manuals. This unit should be especially beneficial for a pipe organ student for practicing the pedal parts of organ music at home. **Free to a good home.**

Harry Sieber, ng3x phone: 252-3304 fax: 252-4260 email: ng3x@juno.com OR ng3x@cplx.net

MS Bike-A-Thon Update



On 19 & 20 July, the club provided communication services for the MS Bike-a-thon. The riders which numbered about 400 this year, started at York College on Saturday morning and rode to Gettysburg College. They stayed overnight at the college dorms and then proceeded the next day back to York. Along the way were 5 rest stops that had to be manned by communicators. We handled problems that ran the gamut from lost supplies and injured bikers to basic administrative issues (a major concern when you're trying to keep track of over 400 people). My hat's off to those members who continue to give up one full weekend a year for this worthy function.

John Shaffer, W3SST – For being up and on location at York College by 6 AM to man the starting point.

Rick Graham, AI3W – For also being up “very early for a Saturday morning” and manning Rest Stop 1 in Spring Grove.

Charlotte, N3URR & Ernie, N3XGF Markley – For manning rest stops on both days. Glenville, Pa. on Saturday & Biglerville on Sunday.

Chip Diamond, W3FJD - For manning the Lunch rest stop on Saturday in Tanytown, MD.

Bob, N3NBT & Mary, N3RBT Gundlach - For manning locations both Saturday & Sunday. Bob & Mary also stayed overnight in Gettysburg (Boy ... were they ever raising hell !!!)

Joe McLaughlin, KE3YR - Manned rest stops both Saturday & Sunday. Stayed overnight in Gettysburg with the rest of the Keystone “Wild Bunch”.

Ruthanna Pearson, WB3CQN - Manned the Dover Rest Stop on Sunday. Special thanks for doing this on such short notice.

Dave Ness, N3LZP – Poor Dave! I think that he was located at the most hectic point in the ride. The Finish Line. Dave was also the last person to be released.

and last but certainly not least

Donna Lee Hoover, N3VPJ - For manning rest stops on both days. Spending the night at Gettysburg, and making sure that all of us communicators were up & bushy eyed awake on Sunday morning ! She also picked up everyone's dorm room keys for them on Saturday. A favor that almost everyone appreciated.

Keystone VHF Club E-Board Minutes of 8 June, 2000 By Charlotte Markley, N3URR Secretary

Meeting called to order at 19:00 by Ernie N3ZCW. 7 officers and 3 committee persons were present.

SECRETARY'S REPORT:

Charlotte N3urr, Minutes for general meeting and E-Board approved As printed in newsletter.

TREASURER'S REPORT:

Sandi N3NCF, nothing changed.

TECHNICAL REPORT:

Tim AA3BJ, duplexer tuned. Tim made motion to buy soda for Field Day. Ruthanna WB3CQN, 2nd, members agreed.

NEWSLETTER REPORT:

Dick WA3USG, will send out courtesy newsletters to non members.

WAYS & MEANS REPORT:

Mary N3NBT, will check on small chance licenses. Need volunteers to help with pig roast. Contact Tim or Ray, W3AXC. July 8th testing at Cyber center.

NEW BUSINESS:

Dick WA3USG, will be co-ordinator for MS bike ride. Needs help with communications. July 15, and 16th.

Meeting Adjourned at 19:40

Some Loose Ends !

Due to some real terrible file management on my part, about 15 minutes ago, I managed to erase an article from Bob Gundlach in reference to some interesting visitors he had. I also deleted the meeting minutes from the June club meeting that Donna Lee was kind enough to type out for me. Due to the tight time restraints I have in reference to getting this to print, these will have to go in next months newsletter. If you guy's would like, I'll treat you all to dinner to make up for this error (but only Kid's meals at McDonalds).

**JOIN THE ARRL
THEY SUPPORT
YOU**

Keystone VHF Club
General Meeting Minutes of 6 July, 2000
By Charlotte Markley, N3URR
Secretary

Meeting called to order at 19:15 by Ernie K3ELM. 44 members were present. Moment of silence in memory of Dutch K3UVJ.

SECRETARY'S REPORT:

Charlotte N3URR, minutes for General Meeting June 1, and E-Board June 8. Minutes read and approved.

TREASURER'S REPORT:

Sandi N3NCF, Profit for month of June	\$ 433.32
Balance in Certificate of Deposit	\$2,111.60
Balance in First Capitol Account	\$1,660.02
Balance in Merrill Lynch Account	\$4,187.12
TOTAL	\$7,958.74

TECHNICAL REPORT:

Tim AA3BJ, Fri. evening July 21 and Sat. morning July 22 will do work on 6 meter antenna.

TRUSTEE'S REPORT:

Chuck N3KVE, work party on July 15 to get ready for Pig Roast.

NEWSLETTER REPORT:

Dick WA3USG, Next newsletter go out in August. Joe KE3YR is looking into maybe doing newsletter printing.

WAYS & MEANS REPORT:

Ray W3AXC, 75 tickets sold. Ray will not be available to sell tickets, Ernie N3XGF will take over tickets sales. Ray also got application for license for small games of chance. Gave to Ernie K3ELM. (President). Christmas party. Jan. 6, 2001 is available at Vikings. Also Buddy King for entertainment. QCWA Club donated \$35.00 to club for use of pavilion. Dottie N3LTZ, yard sale and bake sale will be cancelled due to lack of interest.

RACES/ARES REPORT:

Jack N3BQB, read letter of appreciation and thanks from March of Dimes to Keystone Club for their help with Walk. August 5, Shrewsbury Parade at 3 p.m. needs operators. Contact Jack.

ATV REPORT:

Dick WA3USG, need to decide what to do with \$100.00. Should be noted that this was not the club's money ... was donated by Atvers in club to purchase cameras for ATV repeater & club site security.

CONTESTING REPORT:

Gene AD3E, June contest points, 13,603. Field Day points not in yet.

OLD BUSINESS:

2nd reading for Daniel Shortencarrier, KB3EEI, full membership. Membership approved.

NEW BUSINESS:

1st readings for Thomas A. Graybill Jr., KB3ETG full membership. Susan L. Graybill, KB3EVC, family membership. Al Lewis, WB3GRN, Full membership. Ann Lewis, WB3GRO, Family membership. Ray W3AXC, gave Keystone club chance to help out with York Hamfest Foundation. Club to give binding contract to help do food concession and approx. 60 to 100 man hours. Tim AA3BJ, made motion that we help out as a club with the food and support for Hamfest. Dick WA3USG 2nd motion, members agreed. Chuck N3KVE and Tim AA3BJ will Co-Chair food committee.

50/50 drawing won by Ernie N3XGF.

Final Announcements

Good of Order

Meeting Adjourned at 20:25

Keystone VHF Club
E-Board Minutes of 13 July, 2000
By Charlotte Markley, N3URR
Secretary

Meeting called to order at 19:00 by Ernie K3ELM. 9 officers and 3 Committee persons were present.

SECRETARY'S REPORT:

Charlotte N3URR, minutes read and approved.

TECHNICAL REPORT:

Tim AA3BJ, working on 6 meter antenna.

TRUSTEE'S REPORT:

Chuck N3KVE, lawn mower donated by Ray KA3VDD. Thanks Ray.

NEWSLETTER REPORT:

Dick WA3USG, Joe KE3YR gave estimated price on cost of printing Newsletter.

WAYS & MEANS REPORT:

Ray W3AXC, read and discussed contract between Keystone Club and York Hamfest Foundation. Hamfest held on Sept 16, 17, 2000. Keystone Club will provide manpower to help Foundation in operation of Hamfest and will have exclusive rights to food concession stand. E-Board officers agreed with contract and was signed by president Ernie K3ELM. Sign up sheet for members to help will be at August general meeting. Inner Harbor trip will be October 15, 2000. Christmas banquet will be held at Vikings Club on Jan. 6, 2001.

Meeting adjourned at 19:40





DATED MATERIAL



The VHF Transmitter
P.O. Box 7462
York, PA 17404-0462

**CLUB
REPEATERS
FM
IN/OUT
29.580/29.680
52.97/53.97**

**146.370/146.970
TONE 123.0**

**442.275/447.275
ATV
426.25 IN
439.25 OUT
923.25 OUT**

**PACKET 145.090
PBBS W3HZU-1
KA-NODE W3HZU-7
W3HZU-8
(Digi, Alias YORK)**

**Keystone VHF Club, Inc. W3HZU
P.O. Box 7462
York, PA 17404-0462**

CLUB WEB SITE: <http://yourpage.blazenet.net/stack>

CLUB SPONSORED NETS

All Nets: 146.97 (-)

**MON 8:30PM York ARES/RACES Committee
MON 9PM York County 2-Meter Net
TUES 8PM ATV Net (146.970 for audio)
WED 9PM Quarter Century Wireless Assoc.
THUR 8PM York County YL Net**

Club meetings are held on the 1st Thursday of each month
at the Cyber Center, York, PA